

MANUAL – INSTALLATION + SERVICE

Wall Mounted Displacement Accessories

AFSD Series

Revision #: 01 – Issue Date: 03/25/14

© 2014 Price Industries Limited. All rights reserved.

PRICE[®]

WALL MOUNTED DISPLACEMENT ACCESSORIES

INSTALLATION INSTRUCTIONS

Receiving Inspection

- After unpacking the assembly, check for shipping damage. If any damage is found, immediately report to the delivering carrier. During unpacking and installation do not handle by the flow sensor, damper shaft, or handle because damage may result.

Installing the AFSD

- The AFSD is always installed vertically or horizontally with the flow sensor (SP300) facing the flow (Figure A). (Note: flow must go into the TP ports in the SP300)
- All AFSD units must be installed upstream of diffuser by at least 3 x duct diameter (Table 1 and Figure B).

Calibrating the AFSD

- Make sure that the pressure tubes are kink free with no sharp corners. Connect pressure gauge up to AFSD as per (Figure C).
- Determine the appropriate K value or slope for the AFSD and then determine your Differential Pressure (VP) (Table 2, Graph 1 and Equation on Page 2).
- Loosen wing nut on damper handle and adjust damper to vary VP.
- Once appropriate VP is obtained, tighten wing nut down on handle to lock in place.

Unit Size	Distance Up Stream From Unit	Max CFM	A	B
6	18	450	5.875	13.391
7	21	650	6.875	13.391
8	24	800	7.875	13.391
9	27	1050	8.875	13.391
10	30	1350	9.875	13.391
12	36	2100	11.875	13.391
14	42	3000	13.875	15.391
16	48	4000	15.875	15.391

FIGURE A & C

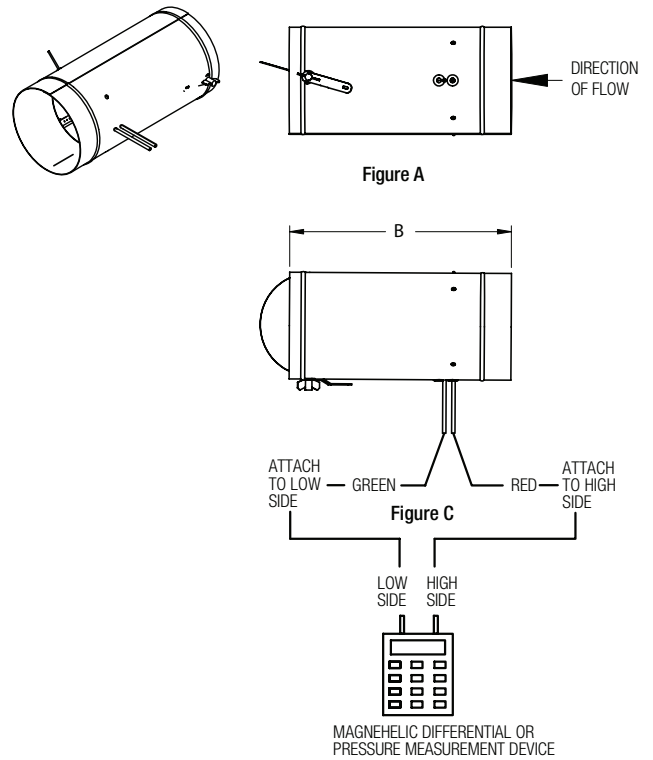


FIGURE B

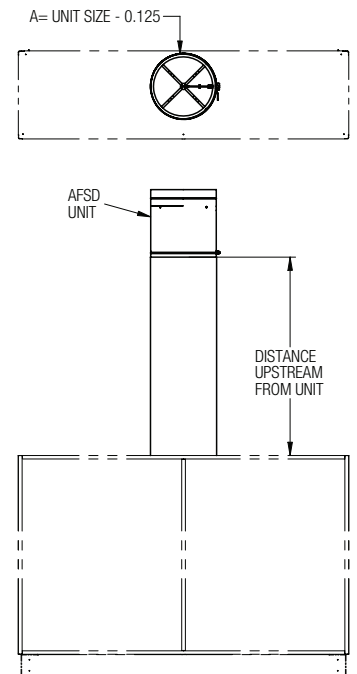
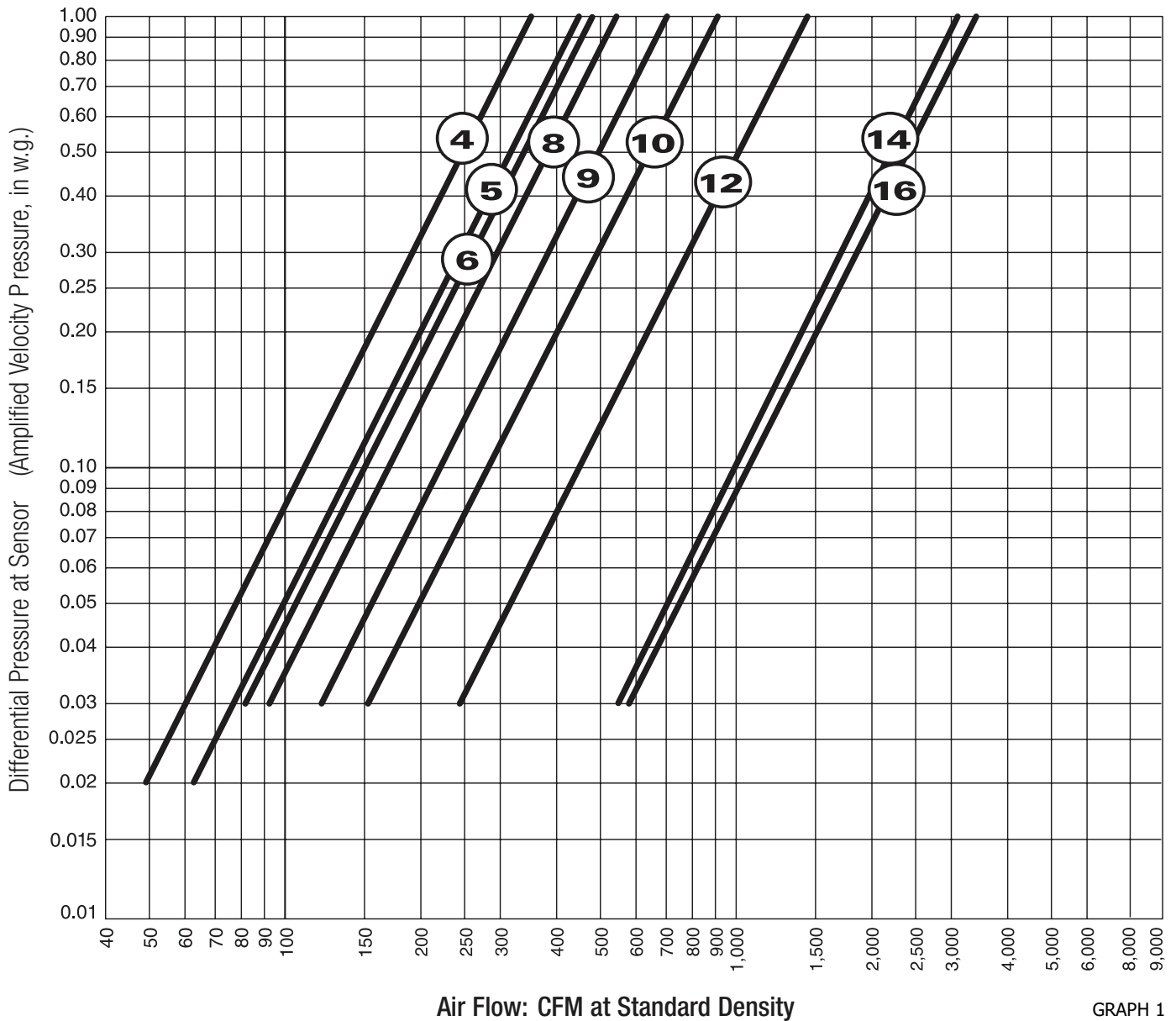


Figure B

WALL MOUNTED DISPLACEMENT ACCESSORIES

INSTALLATION INSTRUCTIONS

AFSD CALIBRATION CURVES ▼



GRAPH 1

Table 2

Unit Size	K
4	350
5	450
6	470
8	540
9	700
10	895
12	1420
14	3150
16	3360

$$VP = \left(\frac{Q}{K}\right)^2$$

VP = Differential pressure at sensor, inches w.g.

Q = Air flow rate, CFM at standard density

K = Calibration Constant

This document contains the most current product information as of this printing.
For the most up-to-date product information, please go to priceindustries.com.

© 2014 Price Industries Limited. All rights reserved.

PRICE[®]